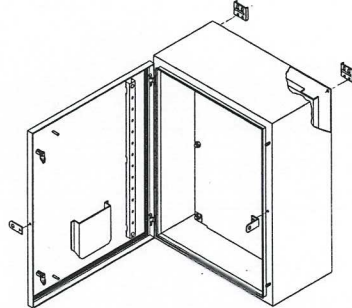
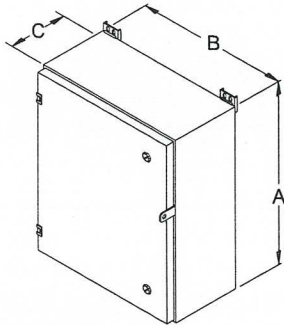




# R Series

# EEMAC / NEMA 4-4x-12 / IP-65 Single Door Enclosures



### TECHNICAL READOUT

Catalog No.	Dimensions			Panel		Weight lbs
	A	B	C	E	F	
R122406	12	24	6	9 x 21		36
R161206	16	12	6	13 x 9		26
R161606	16	16	6	13 x 13		32
R162006	16	20	6	13 x 17		38
R201206	20	12	6	17 x 9		31
R201606	20	16	6	17 x 13		38
R202006	20	20	6	17 x 17		43
R202406	20	24	6	17 x 21		55
R241206	24	12	6	21 x 9		36
R241606	24	16	6	21 x 13		46
R242006	24	20	6	21 x 17		55
R242406	24	24	6	21 x 21		60
R301606	30	16	6	27 x 13		53
R302006	30	20	6	27 x 17		65
R302406	30	24	6	27 x 21		75
R362406	36	24	6	33 x 21		88
R363006	36	30	6	33 x 27		114
R122408	12	24	8	9 x 21		40
R161208	16	12	8	13 x 9		30
R161608	16	16	8	13 x 13		34
R162008	16	20	8	13 x 17		43
R201208	20	12	8	17 x 9		33
R201608	20	16	8	17 x 13		43
R202008	20	20	8	17 x 17		47
R202408	20	24	8	17 x 21		59
R241208	24	12	8	21 x 9		40
R241608	24	16	8	21 x 13		49
R242008	24	20	8	21 x 17		59
R242408	24	24	8	21 x 21		68
R243008	24	30	8	21 x 27		85
R301208	30	12	8	27 x 9		42
R301608	30	16	8	27 x 13		54
R302008	30	20	8	27 x 17		70
R302408	30	24	8	27 x 21		82
R303008	30	30	8	27 x 27		102
R303608	30	36	8	27 x 33		121
R362408	36	24	8	33 x 21		94
R363008	36	30	8	33 x 27		121
R363608	36	36	8	33 x 33		139
R422408	42	24	8	39 x 21		107
R423008	42	30	8	39 x 27		132
R423608	42	36	8	39 x 33		162
R482408	48	24	8	45 x 21		117
R483008	48	30	8	45 x 27		153
R483608	48	36	8	45 x 33		182
R603608	60	36	8	57 x 33		208

Catalog No.	Dimensions			Panel		Weight lbs
	A	B	C	E	F	
R161210	16	12	10	13 x 9		34
R201610	20	16	10	17 x 13		48
R202010	20	20	10	17 x 17		52
R241210	24	12	10	21 x 9		43
R242010	24	20	10	21 x 17		63
R242410	24	24	10	21 x 21		73
R302010	30	20	10	27 x 17		76
R302410	30	24	10	27 x 21		87
R362410	36	24	10	33 x 21		102
R363010	36	30	10	33 x 27		127
R423010	42	30	10	39 x 27		137
R423610	42	36	10	39 x 33		184
R483010	48	30	10	45 x 27		159
R483610	48	36	10	45 x 33		190
R603610	60	36	10	57 x 33		230
R201612	20	16	12	17 x 13		54
R242012	24	20	12	21 x 17		67
R242412	24	24	12	21 x 21		78
R302412	30	24	12	27 x 21		90
R303012	30	30	12	27 x 27		113
R362412	36	24	12	33 x 21		106
R363012	36	30	12	33 x 27		130
R363612	36	36	12	33 x 33		137
R423012	42	30	12	39 x 27		150
R423612	42	36	12	39 x 33		175
R483612	42	36	12	45 x 33		197
R603612	60	36	12	57 x 33		239
R723012	72	30	12	69 x 27		260
R723612	72	36	12	69 x 33		320
R242016	24	20	16	21 x 17		81
R242416	24	24	16	21 x 21		86
R302416	30	24	16	27 x 21		100
R363016	36	30	16	33 x 27		137
R423616	42	36	16	39 x 33		147
R483616	48	36	16	45 x 33		213
R603616	60	36	16	57 x 33		256
R723016	72	30	16	69 x 27		260
R723616	72	36	16	69 x 33		272
R302420	30	24	20	27 x 21		111
R363020	36	30	20	33 x 27		155
R483620	48	36	20	45 x 33		227
R603620	60	36	20	57 x 33		272
R723020	72	30	20	69 x 27		287
R302424	30	24	24	27 x 21		129
R723024	72	30	24	69 x 27		300

### Application:

Type 4-4x-12 / IP-65 enclosure designed for INDOOR/OUTDOOR housing of electrical, pneumatic or hydraulic instruments.

### Construction:

- 16 or 14 gauge steel
- Removable cover
- Continuously welded and ground smooth seams
- Padlock hasp supplied
- Interchangeable left/right side cover opening
- Cover stabilizing bumpers
- 1/4 turn latches
- Grounding studs welded on inner cover surface
- Galvanized mounting rail
- Galvanized steel mounting panel (unpainted)
- Four (4) wall mounting brackets offering multiple installation positioning
- Self-adhesive polymer BEL data pocket
- ANSI/ASA61 grey polyester textured powder coating inside out

### Also Available:

- Galvanized steel
- Cutouts, hubs, windows
- Special finishes & sizes
- Flush handle

### Standards:

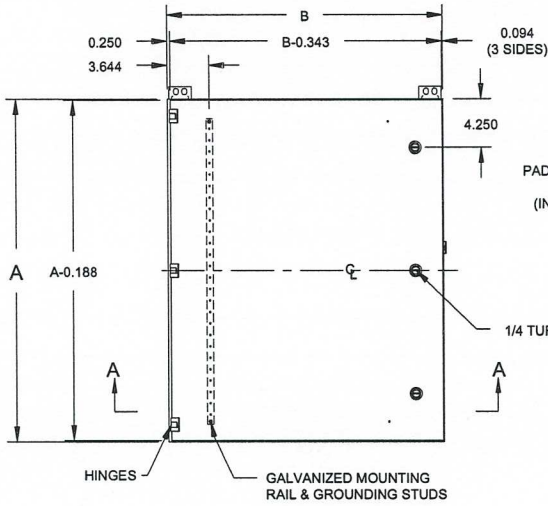
- CSA certified 150359
- UL listed E109310
- CE



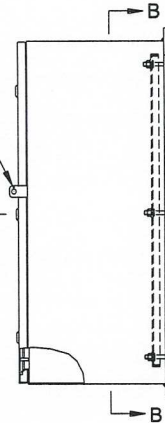


# R Series

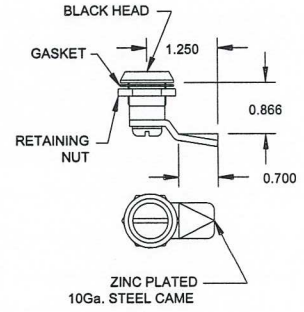
# EEMAC / NEMA 4-4x-12 / IP-65 Single Door Enclosures



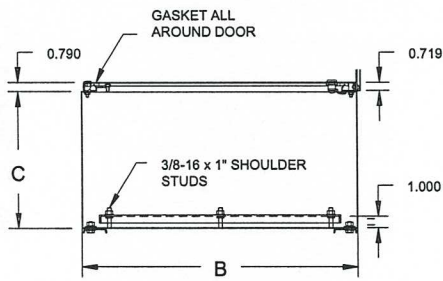
Front View



Side View

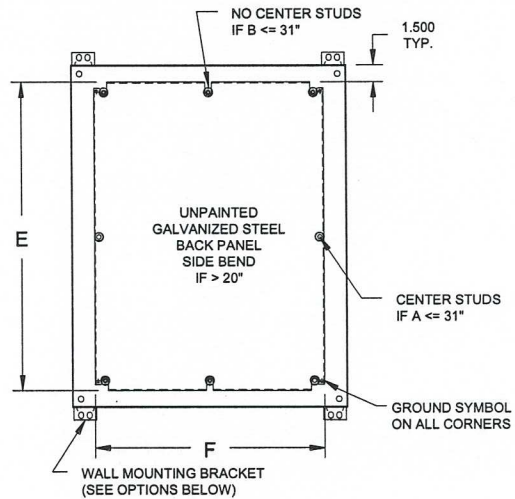


Standard  
1/4 Turn Latch  
A14KR

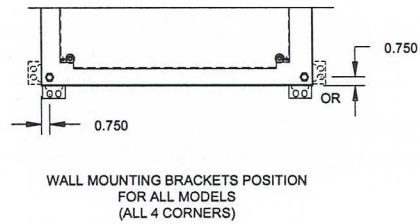
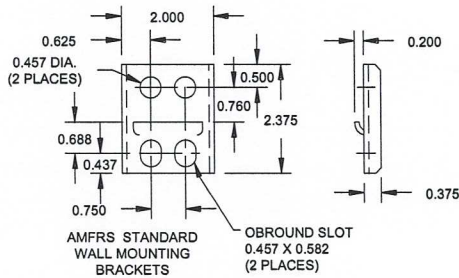


Section A-A

A	HINGES	LOCKS
0	2	1
24	2	2
36	3	2
42	3	3
60	4	3



Section B-B





## Accessories

## Spare Inner Panels For S and R Enclosures

### TECHNICAL READOUT

Catalog No.	Box Size		Panel Size		Weight lbs.
	Height	Width	Height	Width	
ASP0604	6	x 4	4.875	x 2.875	0.5
ASP0606	6	x 6	4.875	x 4.875	0.75
ASP0806	8	x 6	6.875	x 4.875	1
ASP0808	8	x 8	6.875	x 6.875	1.25
ASP1008	10	x 8	8.875	x 6.875	1.5
ASP1010	10	x 10	8.875	x 8.875	2
ASP1210	12	x 10	10.875	x 8.875	2.25
ASP1212	12	x 12	10.875	x 10.875	2.75
ASP1412	14	x 12	12.875	x 10.875	3.25
ASP1614	16	x 14	14.875	x 12.875	4.25
ASP2012	20	x 12	18.875	x 10.875	4
ASP2016	20	x 16	18.875	x 14.875	5
ASP2412	24	x 12	22.875	x 10.875	5
ASP2416	24	x 16	22.875	x 14.875	6
ASP2420	24	x 20	22.875	x 18.875	8

### ASP SERIES

Spare inner panels for all S enclosures

- Made from 14 gauge galvanized steel.
- Natural finish (unpainted)
- All panels have four mounting holes
- Ground symbols and holes

### TECHNICAL READOUT

Catalog No.	Box Size		Panel Size		Weight lbs.
	Height	Width	Height	Width	
ARP1612	16	x 12	13	x 9	3.75
ARP1616	16	x 16	13	x 13	5.25
ARP2012	20	x 12	17	x 9	4.75
ARP2016	20	x 16	17	x 13	6.75
ARP2020	20	x 20	17	x 17	10
ARP2412	24	x 12	21	x 9	6.5
ARP2416	24	x 16	21	x 13	9
ARP2420	24	x 20	21	x 17	12
ARP2424	24	x 24	21	x 21	15
ARP3012	30	x 12	27	x 9	9
ARP3016	30	x 16	27	x 13	12
ARP3020	30	x 20	27	x 17	16
ARP3024	30	x 24	27	x 21	18
ARP3030	30	x 30	27	x 27	24
ARP3624	36	x 24	33	x 21	23
ARP3630	36	x 30	33	x 27	28
ARP3636	36	x 36	33	x 33	34
ARP4224	42	x 24	39	x 21	27
ARP4230	42	x 30	39	x 27	35
ARP4236	42	x 36	39	x 33	42
ARP4824	48	x 24	45	x 21	31
ARP4830	48	x 30	45	x 27	41
ARP4836	48	x 36	45	x 33	49
ARP6036	60	x 36	57	x 33	60
ARP7230	72	x 30	69	x 27	61
ARP7236	72	x 36	69	x 33	74

### ARP SERIES

Spare inner panels for all R enclosures

- Made from 14 and 12 gauge galvanized steel.
- Natural finish (unpainted)
- All panels have 4 or 6 or 8 mounting holes all depend of the size
- Ground symbols and holes

