

▼
Creative Passion

Koino[®]

www.koino.com

CONTROL BOX



OVERVIEW

Waterproof design Aluminum die-casting

IP-Rating : IP66

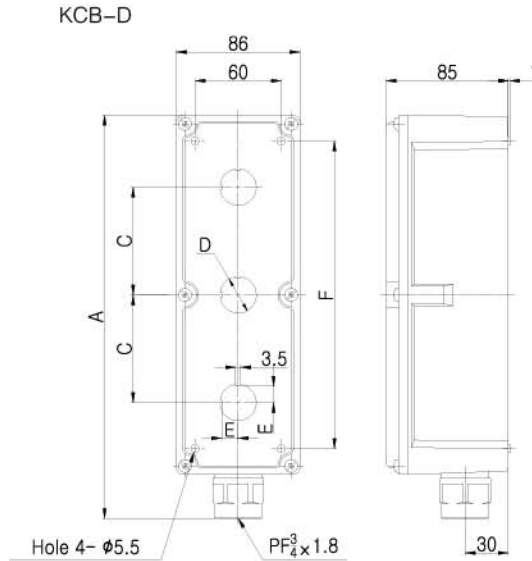
CLASSIFICATION

KCB – 22 3 D

① ②

① Hole Diameter	22	Ø22mm
	25	Ø25mm
	30	Ø30mm
② Number of holes	1	1 hole
	2	2 holes
	3	3 holes
	4	4 holes

Dimensions



Model	A	B	C	D	E	F	Weight
KCB-221D	180.5	150	center	Φ22.3	10	114	614g
KCB-222D	180.5	150	50	Φ22.3	10	114	606g
KCB-223D	280.5	250	75	Φ22.3	10	214	863g
KCB-224D	280.5	250	50	Φ22.3	10	214	853g

Model	A	B	C	D	E	F	Weight
KCB-251D	180.5	150	center	Φ25.3	11.5	114	603g
KCB-252D	180.5	150	50	Φ25.3	11.5	114	602g
KCB-253D	280.5	250	75	Φ25.3	11.5	214	866g
KCB-254D	280.5	250	50	Φ25.3	11.5	214	864g

Model	A	B	C	D	E	F	Weight
KCB-301D	180.5	150	center	Φ30.3	14	114	602g
KCB-302D	180.5	150	50	Φ30.3	14	114	601g
KCB-303D	280.5	250	75	Φ30.3	14	214	856g
KCB-304D	280.5	250	50	Φ30.3	14	214	855g

CONTROL COMPONENTS

SQUARE LIGHT

TOWER LIGHT

MICRO SWITCH

FOOT SWITCH

LIMIT SWITCH

POWER SWITCH

HOIST SWITCH

CAM SWITCH

BUZZER

PHOTO SENSOR

PROXIMITY SENSOR

FLOATLESS LEVEL SWITCH

TIMER & COUNTER

RELAY

SOCKETS

TERMINAL BLOCK

CONTROL BOX

PID TEMP. CONTROLLER

▼
Creative Passion

Koino[®]

www.koino.com