

▼
Creative Passion

Koino[®]

www.koino.com

SOCKETS FOR RELAYS



KH-RS-14N
KH-RS-14N-8



KH-RS-14M
KH-RS-14M-8



KH-RS-H2C



KH-RS-P14



KH-RS-P14-8



KH-RS-PC14

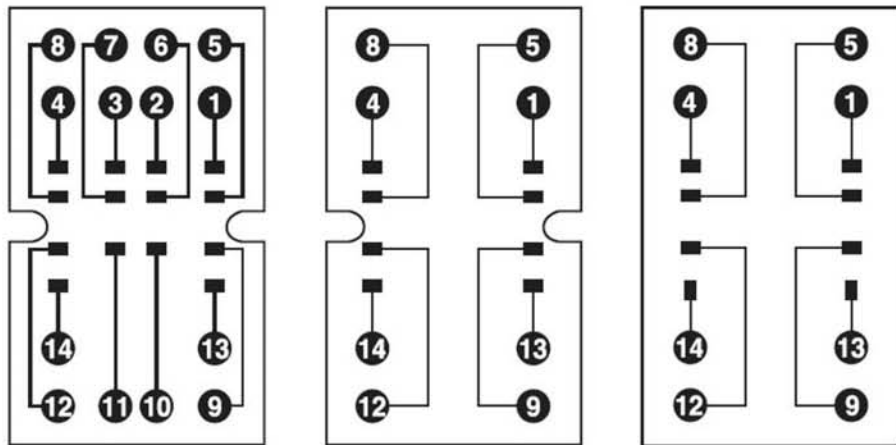


KH-RS-PC14-8

Relay	Sockets	
	For DIN rail	Soldering terminal
KH-103-4C	KH-RS-14M	KH-RS-P14
	KH-RS-14N	KH-RS-PC14
KH-103-2C	KH-RS-14M-8	KH-RS-P14-8
	KH-RS-14N-8	KH-RS-PC14-8
KH-103-H2C	KH-RS-H2C	-

Model	KH-RS-14M	KH-RS-14M-8	KH-RS-H2C	KH-RS-P14	KH-RS-PC14
	KH-RS-14N	KH-RS-14N-8		KH-RS-P14-8	KH-RS-PC14-8
Ratings	250V 7A		250V 10A	250V 7A	
Insulation Resistance	100M Ω (500VDC)				
Dielectric strength	2,000VAC 50/60Hz for 1 minute				
Terminal	M3 Screw		M3.5 Screw	Soldering terminal	Soldering terminal for PCB
Material	Nylon glass			Phenol resin	

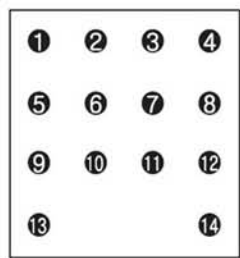
Terminal Diagram



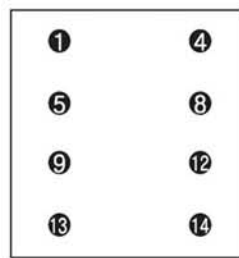
KH-RS-14N
KH-RS-14M

KH-RS-14N-8
KH-RS-14M-8

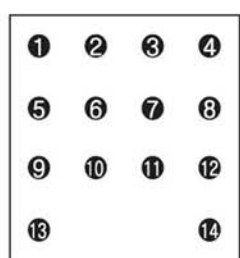
KH-RS-H2C



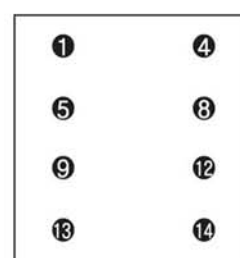
KH-RS-P14



KH-RS-P14-8



KH-RS-PC14



KH-RS-PC14-8

CONTROL COMPONENTS

SQUARE LIGHT

TOWER LIGHT

MICRO SWITCH

FOOT SWITCH

LIMIT SWITCH

POWER SWITCH

HOIST SWITCH

CAM SWITCH

BUZZER

PHOTO SENSOR

PROXIMITY SENSOR

FLOATLESS LEVEL SWITCH

TIMER & COUNTER

RELAY

SOCKETS

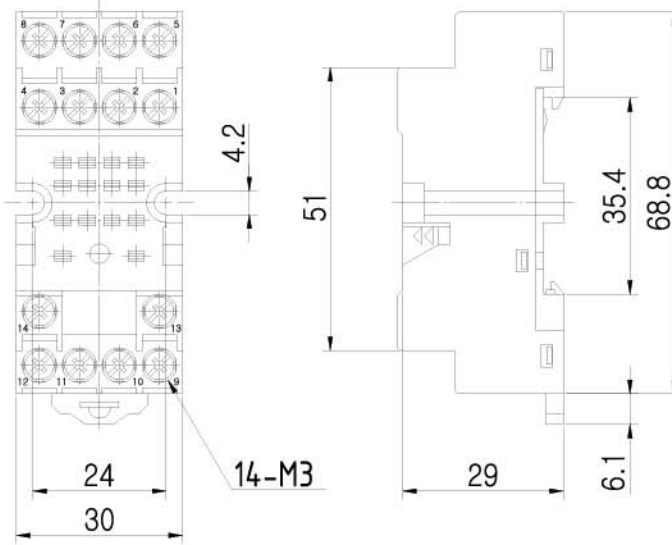
TERMINAL BLOCK

CONTROL BOX

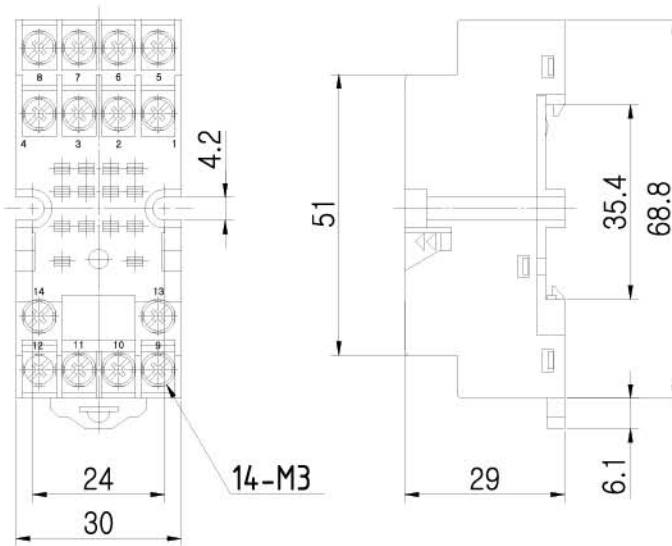
PID TEMP. CONTROLLER

Dimension

KH-RS-14N

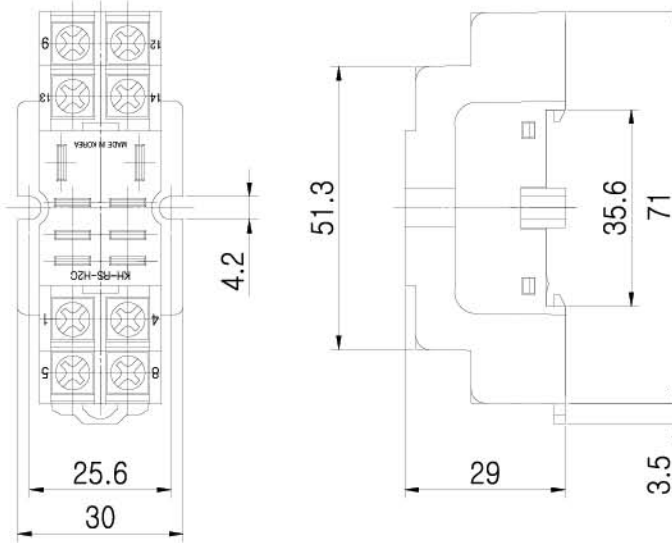


KH-RS-14M

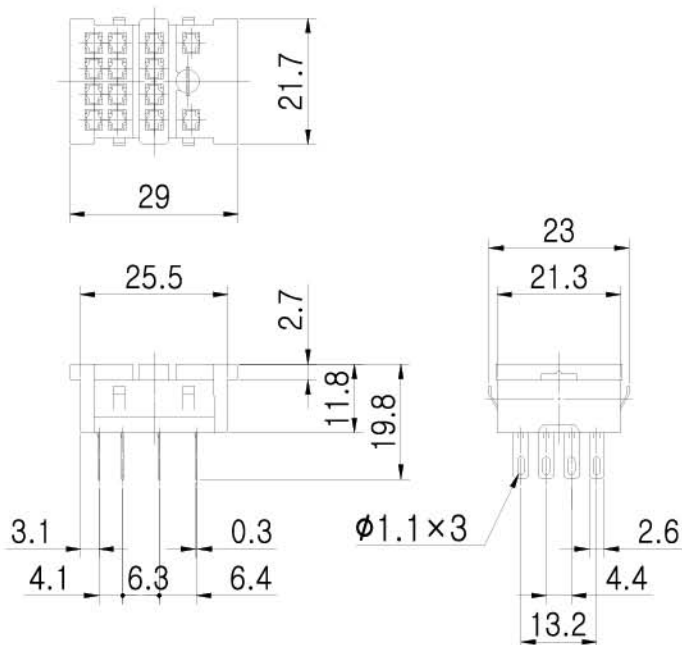


Dimension

KH-RS-H2C



KH-RS-P14, KH-RS-P14-8



CONTROL COMPONENTS

SQUARE LIGHT

TOWER LIGHT

MICRO SWITCH

FOOT SWITCH

LIMIT SWITCH

POWER SWITCH

HOIST SWITCH

CAM SWITCH

BUZZER

PHOTO SENSOR

PROXIMITY SENSOR

FLOATLESS LEVEL SWITCH

TIMER & COUNTER

RELAY

SOCKETS

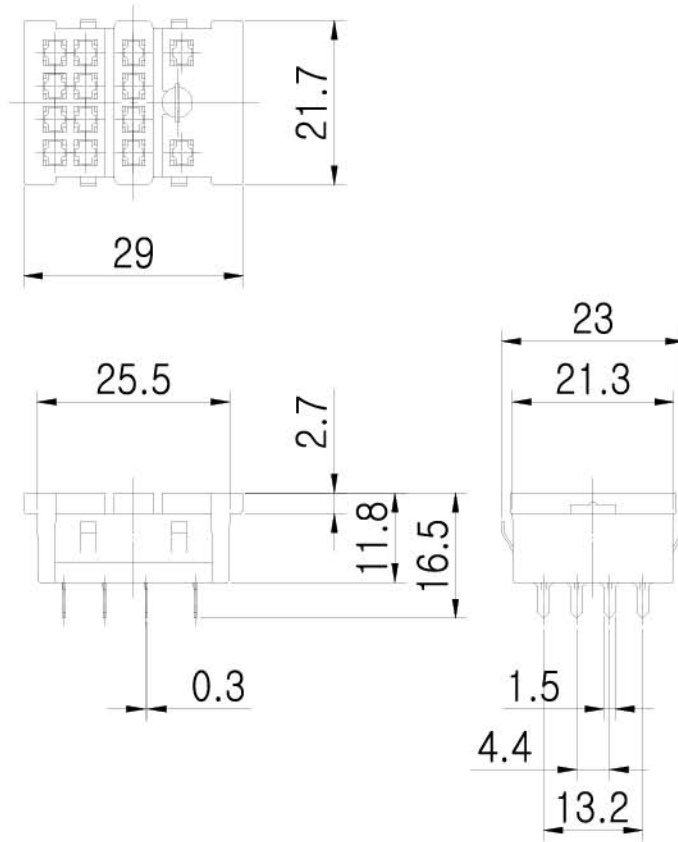
TERMINAL BLOCK

CONTROL BOX

PID TEMP. CONTROLLER

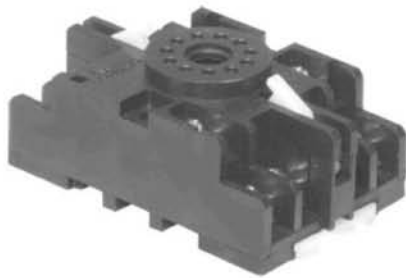
Dimension

KH-RS-PC14,
KH-RS-PC14-8





SOCKETS (11pins)



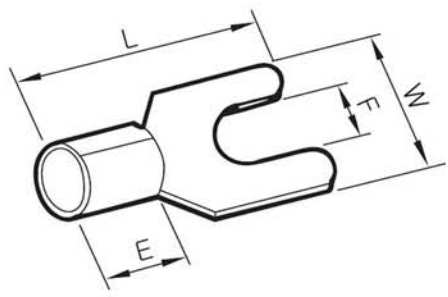
KH-TDR-R11



KH-RS-R11

* RoHS compliant : “Surrounding air : 50°C Max.”

Model	KH-TDR-R11		KH-RS-R11	
Ratings	250V 10A			
Insulation Resistance	100MΩ (500VDC)			
Dielectric strength	2,000VAC 50/60Hz for 1 minute			
Terminal	M3.5 Screw			
Material	PBT glass			
Wiring rug	E	4.5mm	4.5mm	
	F	min. Ø3.6	min. Ø3.6	
	W	7.6mm max.	7.6mm max.	
	L	min. 15.7mm	min. 15.7mm	



CONTROL COMPONENTS

SQUARE LIGHT

TOWER LIGHT

MICRO SWITCH

FOOT SWITCH

LIMIT SWITCH

POWER SWITCH

HOIST SWITCH

CAM SWITCH

BUZZER

PHOTO SENSOR

PROXIMITY SENSOR

FLOATLESS LEVEL SWITCH

TIMER & COUNTER

RELAY

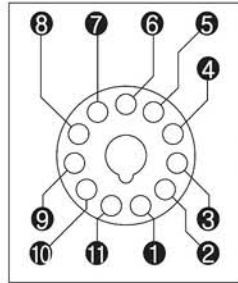
SOCKETS

TERMINAL BLOCK

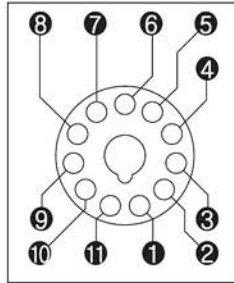
CONTROL BOX

PID TEMP. CONTROLLER

Terminal Diagram



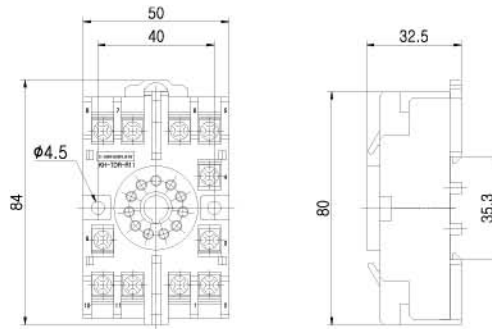
KH-TDR-R11



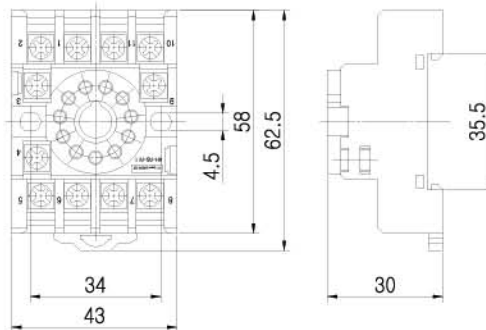
KH-RS-R11

Dimension

KH-TDR-R11



KH-RS-R11





SOCKETS (8pins)



KH-TDR-R8



KH-KTS-8



KH-RS-R8



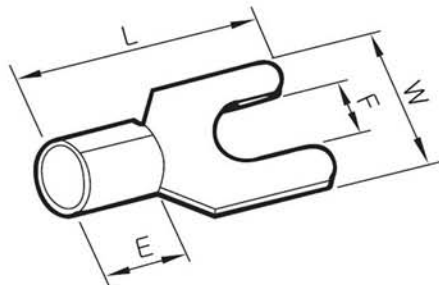
KH-MR-8



KH-RS-M8

* RoHS compliant : “Surrounding air : 50°C Max.” for KH-TDR-R8 AND KH-RS-R8

Model	KH-TDR-R8	KH-KTS-8	KH-RS-R8	KH-MR-8	KH-RS-M8
Ratings	250V 10A				
Insulation Resistance	100MΩ(500VDC)				
Dielectric strength	2,000VAC 50/60Hz for 1 minute				
Terminal	M3.5 Screw			M3 Screw	
Material	PBT glass			Nylon glass	
Wiring rug	E	4.5mm			
	F	min. Ø3.6			min. Ø3.1
	W	7.6mm max.	7.0mm max.		6.0mm max.
	L	min. 15.7mm			



CONTROL COMPONENTS

SQUARE LIGHT

TOWER LIGHT

MICRO SWITCH

FOOT SWITCH

LIMIT SWITCH

POWER SWITCH

HOIST SWITCH

CAM SWITCH

BUZZER

PHOTO SENSOR

PROXIMITY SENSOR

FLOATLESS LEVEL SWITCH

TIMER & COUNTER

RELAY

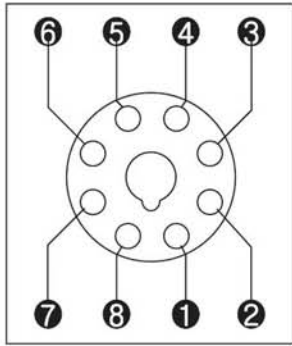
SOCKETS

TERMINAL BLOCK

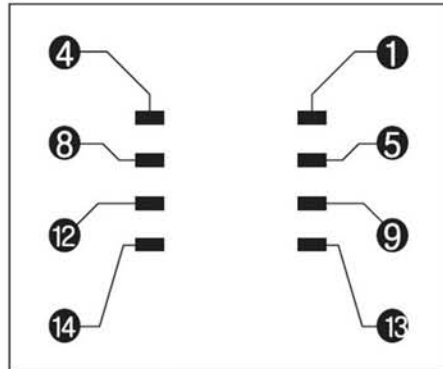
CONTROL BOX

PID TEMP. CONTROLLER

Terminal Diagram



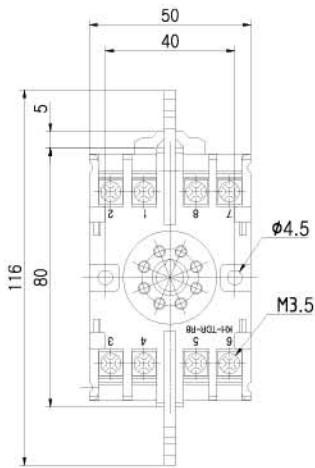
KH-TDR-R8
KH-KTS-8
KH-RS-R8
KH-MR-8



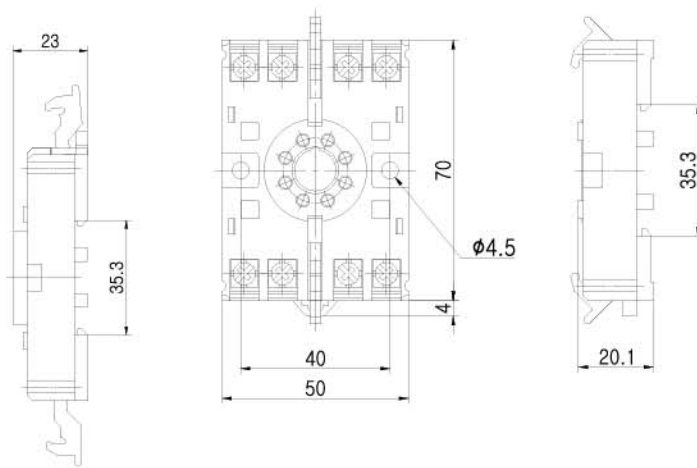
KH-RS-M8

Dimension

KH-TDR-R8

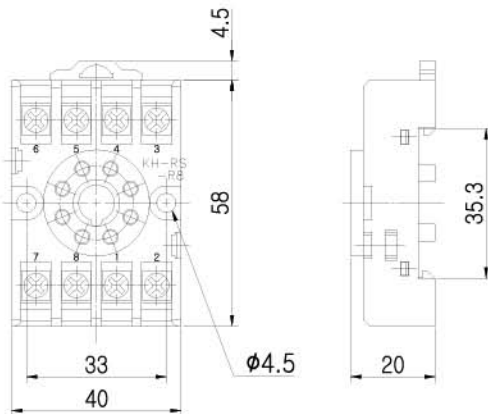


KH-KTS-8

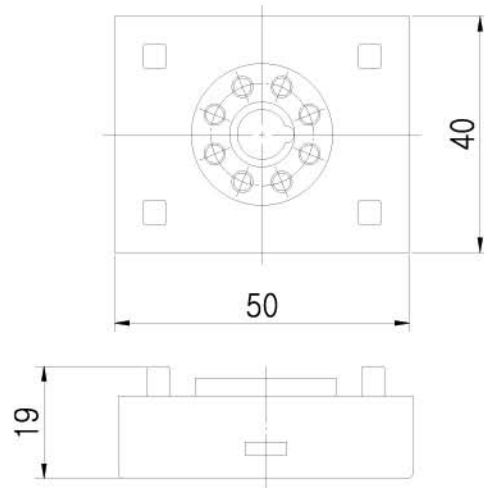


Dimension

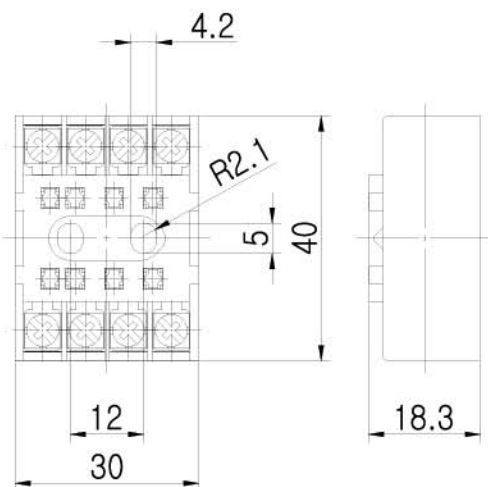
KH-RS-R8



KH-MR-8



KH-RS-M8



CONTROL COMPONENTS

SQUARE LIGHT

TOWER LIGHT

MICRO SWITCH

FOOT SWITCH

LIMIT SWITCH

POWER SWITCH

HOIST SWITCH

CAM SWITCH

BUZZER

PHOTO SENSOR

PROXIMITY SENSOR

FLOATLESS LEVEL SWITCH

TIMER & COUNTER

RELAY

SOCKETS

TERMINAL BLOCK

CONTROL BOX

PID TEMP. CONTROLLER

▼
Creative Passion

Koino[®]

www.koino.com