

▼
Creative Passion

Koino[®]

www.koino.com

KFS SERIES

Where to use

- Water level control in Factory
- Water supply for Agriculture
- Water purification factory

Where to use

- For 8 pin socket: KFS-PC8, KFS-PC8S
- For 11 pin socket: KFS-PC11, KFS-PC11S
- For Electrode Fixing Coupler: KFS-ES3



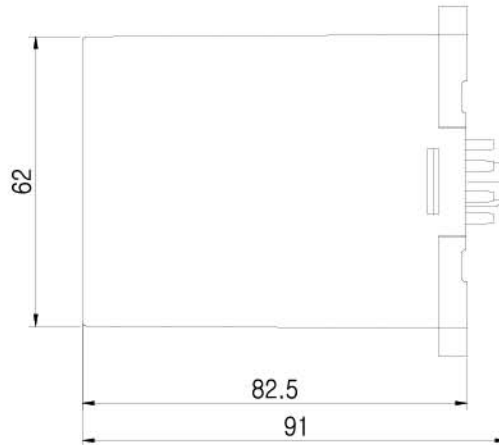
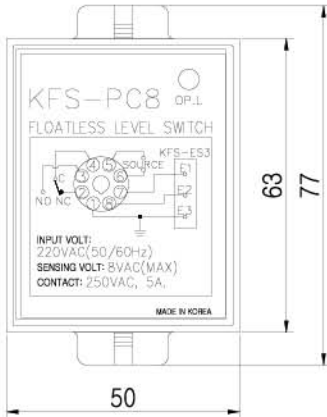
Specification

Model	KFS-PC8(S)	KFS-PC11(S)
Compatible Socket	KH-RS-R8	KH-RS-R11
Voltage	100~110VAC, 200~220VAC(50/60Hz)	
Power Consumption	3.2VA	
Voltage between electrodes	AC 8V	
Operation resistance	Max. 4kΩ	
Return resistance	min. 15kΩ	
Response Time	When operate: 80ms when return: 160ms	
Ratings	220VAC 2.5A(resistive load) 220VAC 0.5A(inductive load)	
Durability	Mechanical: 5,000,000 operations Electrical: 200,000 operations	
Insulation resistance	100MΩ(500VDC)	
Dielectric strength	1,000VAC 50/60Hz for 1 minute	
Ambient temperature	-10~+50°C	
Vibration resistance	10~55Hz at double amplitude: 0.5mm(X,Y,Z directions) for 1 hour	
Shock resistance	30G	
Ambient humidity	35~85% RH	
Protection	IP50(indoor use only)	
Material	ABS	
Weight	KFS-PC8, -PC11(230g), KFS-PC8S, -PC11S(180g)	

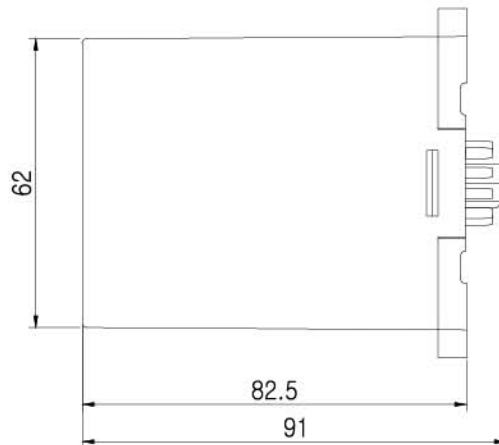
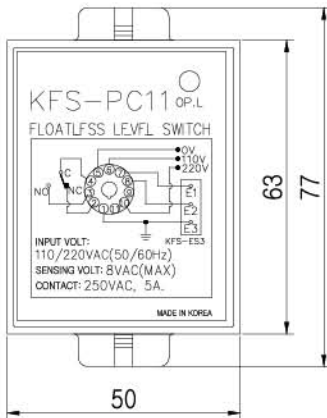
FLOATLESS SWITCH



KFS-PC8(8Pin)



KFS-PC11(11Pin)



CONTROL COMPONENTS

SQUARE LIGHT

TOWER LIGHT

MICRO SWITCH

FOOT SWITCH

LIMIT SWITCH

POWER SWITCH

HOIST SWITCH

CAM SWITCH

BUZZER

PHOTO SENSOR

PROXIMITY SENSOR

FLOATLESS LEVEL SWITCH

TIMER & COUNTER

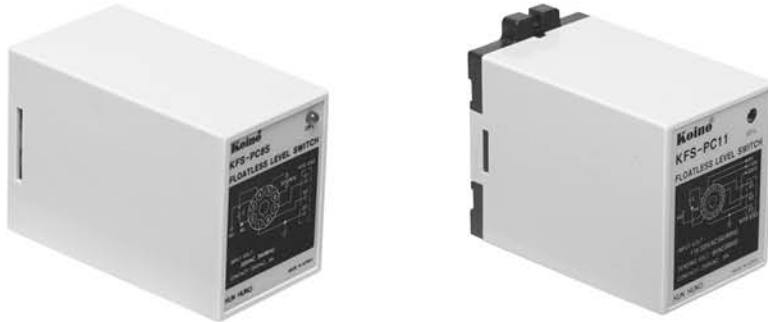
RELAY

SOCKETS

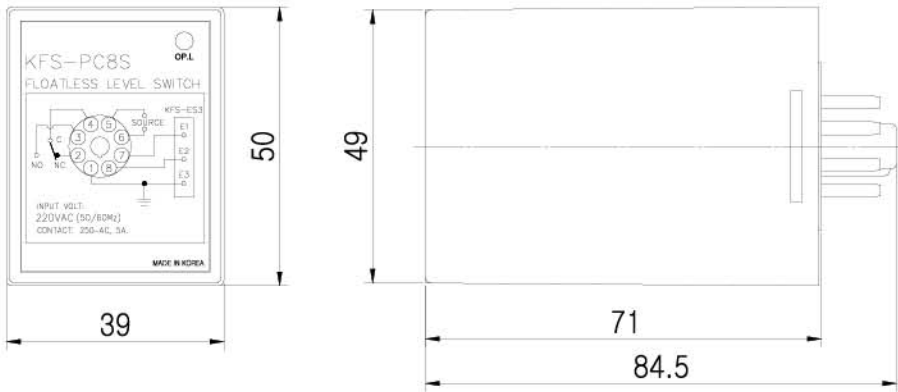
TERMINAL BLOCK

CONTROL BOX

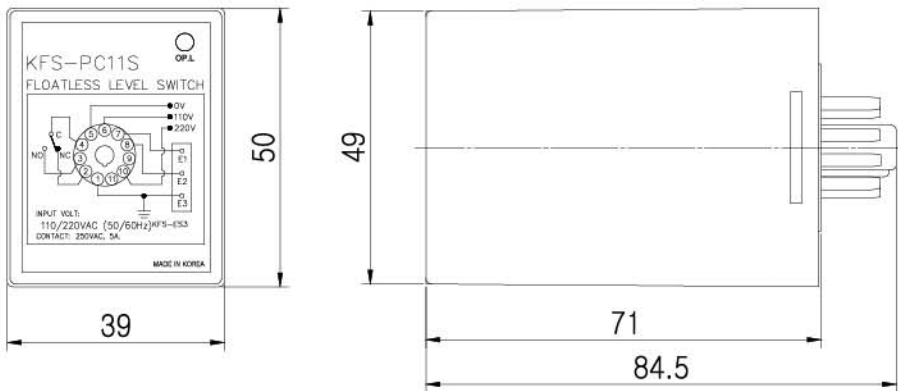
PID TEMP. CONTROLLER



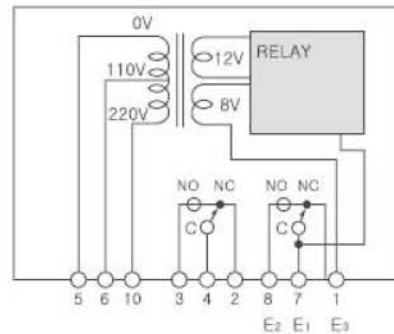
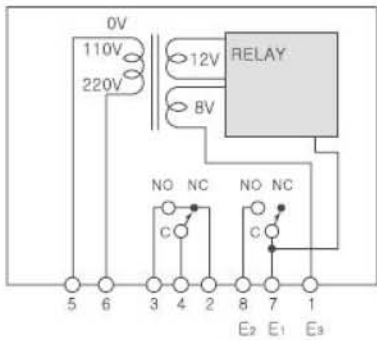
KFS-PC8S



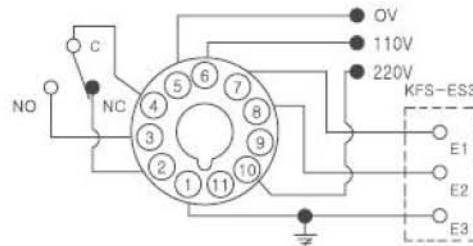
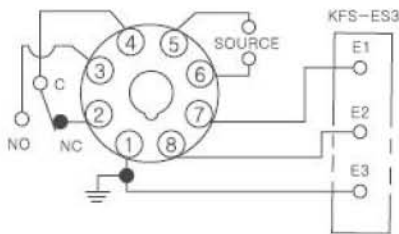
KFS-PC11S



Circuit Diagram



Wiring Diagram



CONTROL COMPONENTS

SQUARE LIGHT

TOWER LIGHT

MICRO SWITCH

FOOT SWITCH

LIMIT SWITCH

POWER SWITCH

HOIST SWITCH

CAM SWITCH

BUZZER

PHOTO SENSOR

PROXIMITY SENSOR

FLOATLESS LEVEL SWITCH

TIMER & COUNTER

RELAY

SOCKETS

TERMINAL BLOCK

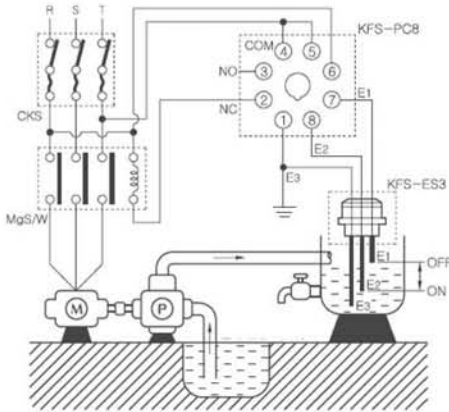
CONTROL BOX

PID TEMP. CONTROLLER

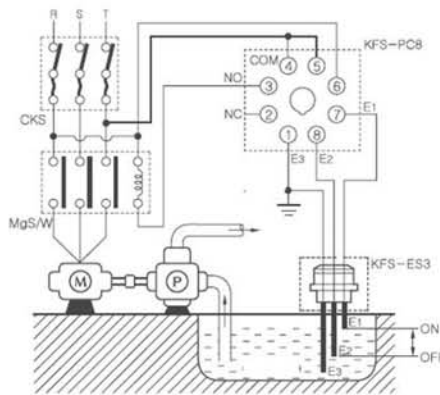
Operation Diagram

KFS-PC11S

Water Supply

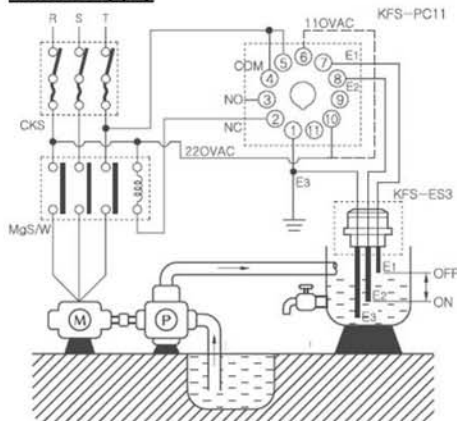


Water Drainage

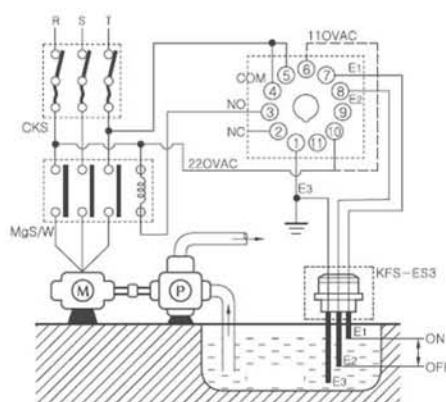


KFS-PC11, -PC11S

Water Supply



Water Drainage



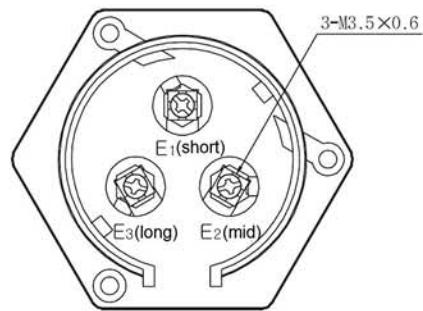
KFS ES3

• **Material**

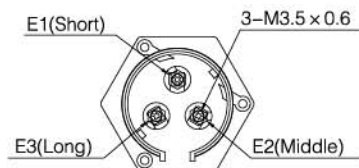
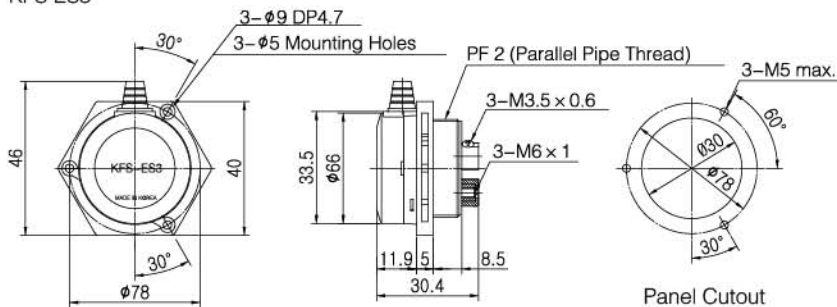
Body: PBT

Electrode: Nickel-plated brass

- Please use copper rod or brass rod (3-M6P1, Ø6.0) for electrode
- IP53
- Cannot be used in oil



KFS ES3



CONTROL COMPONENTS

SQUARE LIGHT

TOWER LIGHT

MICRO SWITCH

FOOT SWITCH

LIMIT SWITCH

POWER SWITCH

HOIST SWITCH

CAM SWITCH

BUZZER

PHOTO SENSOR

PROXIMITY SENSOR

FLOATLESS LEVEL SWITCH

TIMER & COUNTER

RELAY

SOCKETS

TERMINAL BLOCK

CONTROL BOX

PID TEMP. CONTROLLER

▼
Creative Passion

Koino[®]

www.koino.com