

▼
Creative Passion

Koino[®]

www.koino.com

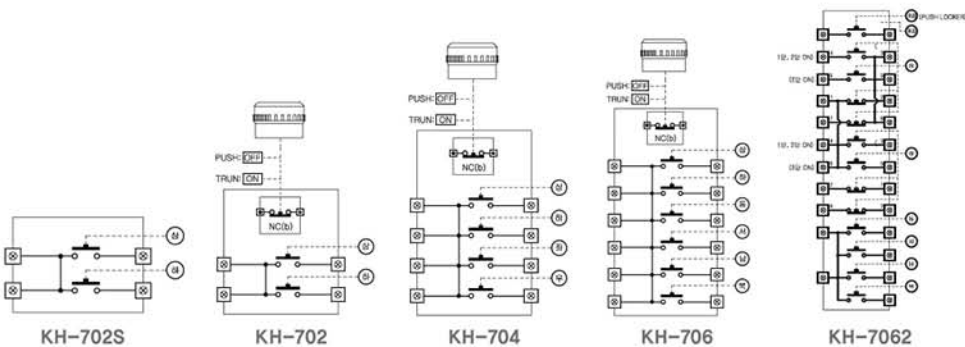
HOIST SWITCHES



Technical Information

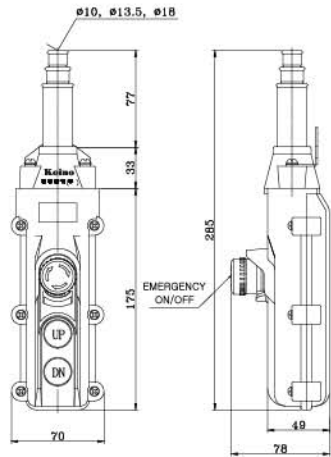
Model	Contact Rating	Emergency Contact rating	Material	Material
KH-702S	250VAC, 7A	125 /250VAC, 3A (No emergency button)	Body: Triloy Button: ABS Button cap: PC	IP65
KH-702		125 /250VAC, 3A		
KH-704	380VAC, 5A	125 /250VAC, 3A		
KH-706		125 /250VAC, 3A		
KH-7062	250VAC, 7A	Built-in ON / OFF Button	Body: Triloy Button: ABS	
	380VAC, 5A	Built-in ON / OFF Button		

Circuit Diagram



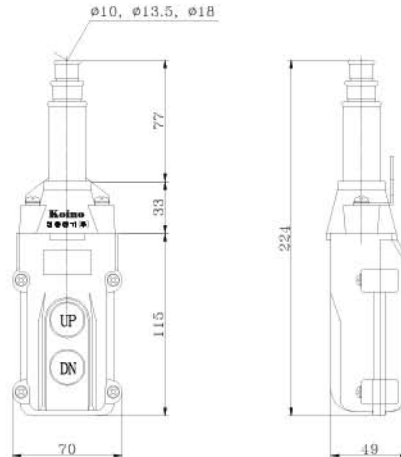
Dimension

KH-702



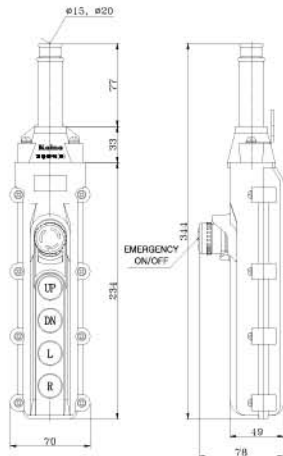
* Terminal Screw : M4 6

KH-702S



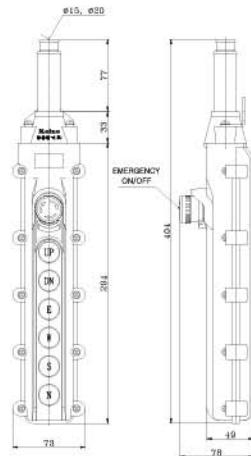
* Terminal Screw : M4 x 6

KH-704



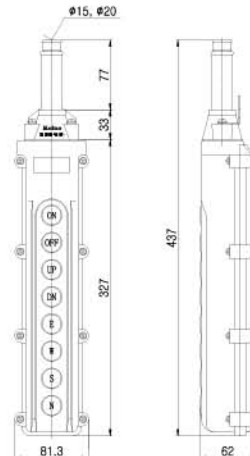
* Terminal Screw : M4 6

KH-706



* Terminal Screw : M4 x 6

KH-7062



* Terminal Screw : M4 x 6

CONTROL COMPONENTS

SQUARE LIGHT

TOWER LIGHT

MICRO SWITCH

FOOT SWITCH

LIMIT SWITCH

POWER SWITCH

HOIST SWITCH

CAM SWITCH

BUZZER

PHOTO SENSOR

PROXIMITY SENSOR

FLOATLESS LEVEL SWITCH

TIMER & COUNTER

RELAY

SOCKETS

TERMINAL BLOCK

CONTROL BOX

PID TEMP. CONTROLLER

▼
Creative Passion

Koino[®]

www.koino.com