

▼
Creative Passion

Koino[®]

www.koino.com

POWER SWITCHES

Quick Selection Guide

Use	Phase	Operation	Protection	Model
Motor Starting	3P	ON/OFF	IP40	KH-201
			IP65	KH-3051(rain-proof/oil-proof)
		FOR/REV	IP40	KH-306
			IP65	KH-205(Lever type) KH-3063(rain-proof/oil-proof)
	2P	FOR/REV	IP40	KH-205-2(Lever Type)
Drilling Machine	3P	ON/OFF	IP40	KH-204(Flush mounting type)
	2P	ON/OFF	IP40	KH-202(Flush mounting type)
				KH-202-1(Flush mounting type) with seesaw ON/OFF Switch
Sewing Machine	3P	ON/OFF	IP40	KH-203
	2P	ON/OFF	IP40	KH-203-2
Electro-Magnetic Switch	-	ON/OFF	IP40	KH-701(ON/OFF 2 Buttons)
	-			KH-703(ON/OFF/ON 3 Buttons)
	-		IP65	KH-7011(rain-proof/oil-proof)

Ratings & Materials

Model	Contact Ratings	Phase	Material	Weight
KH-201	250VAC 15A	3P	Enclosure: Steel plate Button: Phenol	285g
	380VAC 10A			
KH-202	250VAC 10A	2P	Enclosure: Steel plate Button: Phenol	150g
	380VAC 7A			
KH-202-1	250VAC 10A	2P	Enclosure: Steel plate Button: Phenol	166g
	380VAC 7A			
KH-204	250VAC 15A	3P	Enclosure: Steel plate Button: Phenol	213g
	380VAC 10A			
KH-203	250VAC 10A	3P	Enclosure: ABS Button: Phenol Fixing panel: Steel plate	177g
	380VAC 3A			
KH-203-2	250VAC 10A	2P	Enclosure: ABS Button: Phenol Fixing panel: Steel plate	177g
	380VAC 3A			
KH-3051	250VAC 30A	3P	Enclosure: ABS Button: Phenol	409g
	380VAC 20A			
KH-3063	250VAC 30A	3P	Enclosure: ABS Button: Phenol	711g
	380VAC 20A			
KH-306	250VAC 15A	3P	Enclosure: Steel plate Button: Phenol	468g
	380VAC 10A			
KH-205	250VAC 15A	3P	Enclosure: Steel plate Lever: Phenol	576g
	380VAC 10A			
KH-205-2	250VAC 15A	2P	Enclosure: Steel plate Lever: Phenol	576
	380VAC 10A			
KH-701	250VAC 5A	-	Enclosure: ABS Button: ABS	86g
	380VAC 3A			
KH-703	250VAC 5A	-	Enclosure: ABS Button: ABS	117g
	380VAC 3A			
KH-7011	250VAC 5A	-	Enclosure: ABS Button: Phenol	328g
	380VAC 3A			

CONTROL COMPONENTS

SQUARE LIGHT

TOWER LIGHT

MICRO SWITCH

FOOT SWITCH

LIMIT SWITCH

POWER SWITCH

HOIST SWITCH

CAM SWITCH

BUZZER

PHOTO SENSOR

PROXIMITY SENSOR

FLOATLESS LEVEL SWITCH

TIMER & COUNTER

RELAY

SOCKETS

TERMINAL BLOCK

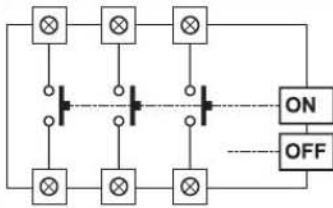
CONTROL BOX

PID TEMP. CONTROLLER

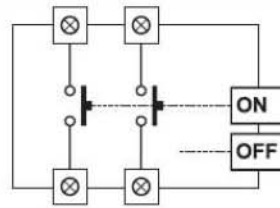
KH-201



KH-202

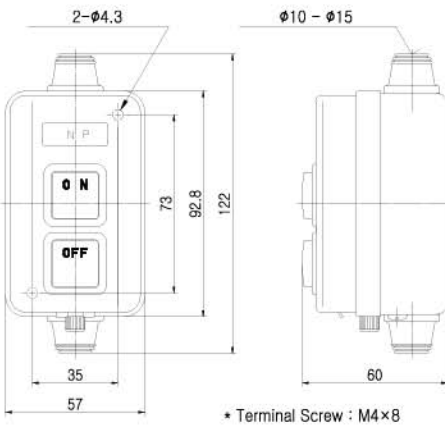


KH-201

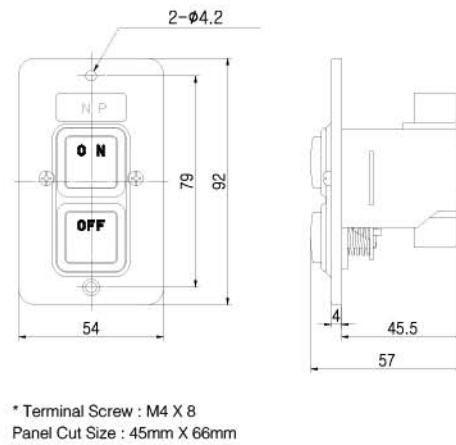


KH-202

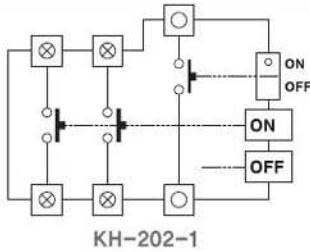
KH-201



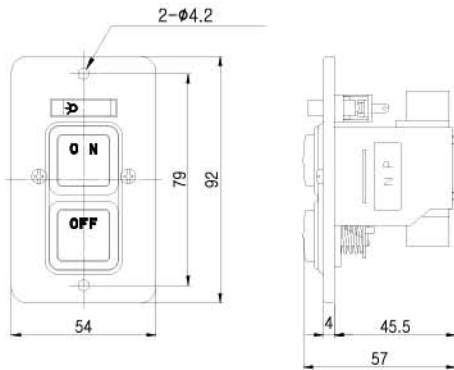
KH-202



KH-202-1

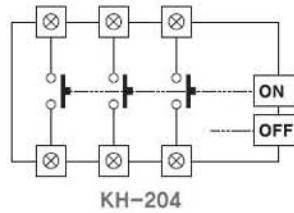


KH-202-1

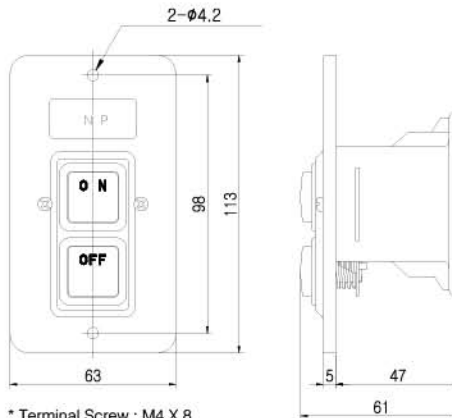


* Terminal Screw : M4 X 8
Panel Cut Size : 45mm X 66mm

KH-204



KH-204



* Terminal Screw : M4 X 8
Panel Cut Size : 48mm X 72mm

CONTROL COMPONENTS

SQUARE LIGHT

TOWER LIGHT

MICRO SWITCH

FOOT SWITCH

LIMIT SWITCH

POWER SWITCH

HOIST SWITCH

CAM SWITCH

BUZZER

PHOTO SENSOR

PROXIMITY SENSOR

FLOATLESS LEVEL SWITCH

TIMER & COUNTER

RELAY

SOCKETS

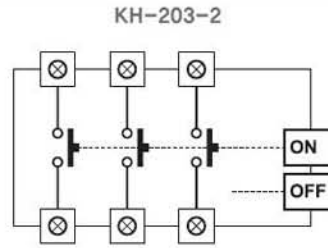
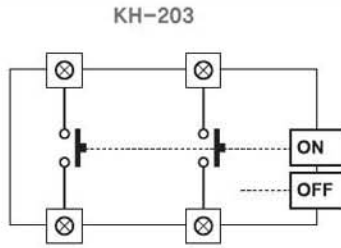
TERMINAL BLOCK

CONTROL BOX

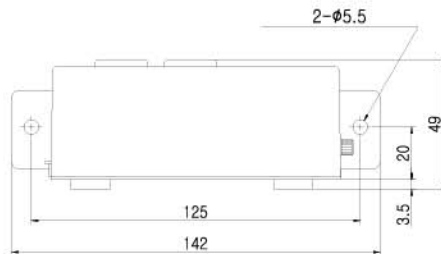
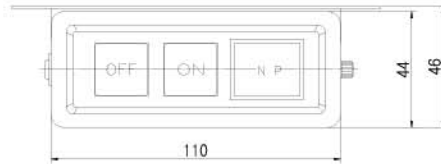
PID TEMP. CONTROLLER

KH-203

KH-203-2



KH-203-2
KH-203

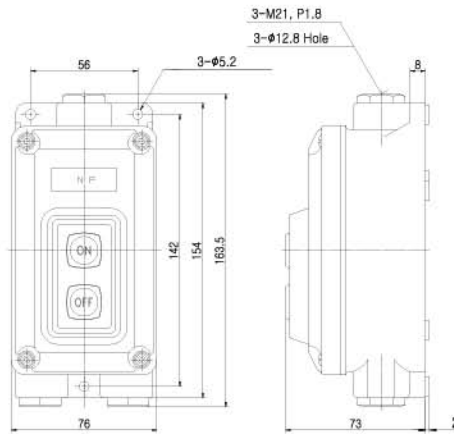


* Terminal Screw : M3.5 X 7

KH-3051



KH-3051



* Terminal Screw : M5 X 10

CONTROL COMPONENTS

SQUARE LIGHT

TOWER LIGHT

MICRO SWITCH

FOOT SWITCH

LIMIT SWITCH

POWER SWITCH

HOIST SWITCH

CAM SWITCH

BUZZER

PHOTO SENSOR

PROXIMITY SENSOR

FLOATLESS LEVEL SWITCH

TIMER & COUNTER

RELAY

SOCKETS

TERMINAL BLOCK

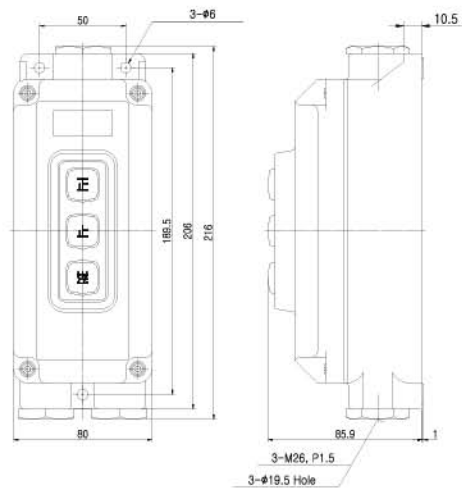
CONTROL BOX

PID TEMP. CONTROLLER

KH-3063



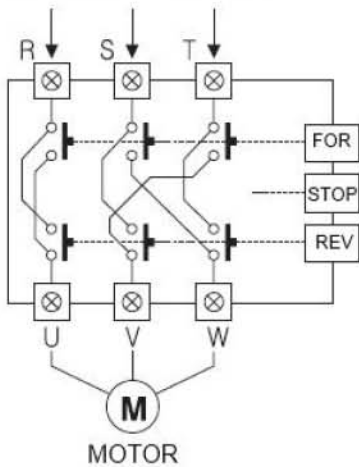
KH-3063



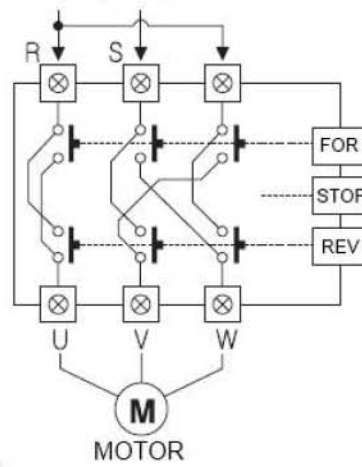
* Terminal Screw : M5 X 10

KH-3063

3 phase, 350VAC 380VAC



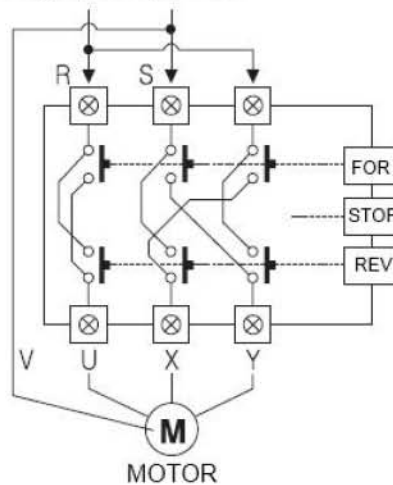
Single phase, 250VAC



U : 5
V : 1
X : 4

② - ③ - ⑥

Single phase, 110VAC



U : 1,3
V : 2,4
X : 5
Y : 6

CONTROL COMPONENTS

SQUARE LIGHT

TOWER LIGHT

MICRO SWITCH

FOOT SWITCH

LIMIT SWITCH

POWER SWITCH

HOIST SWITCH

CAM SWITCH

BUZZER

PHOTO SENSOR

PROXIMITY SENSOR

FLOATLESS LEVEL SWITCH

TIMER & COUNTER

RELAY

SOCKETS

TERMINAL BLOCK

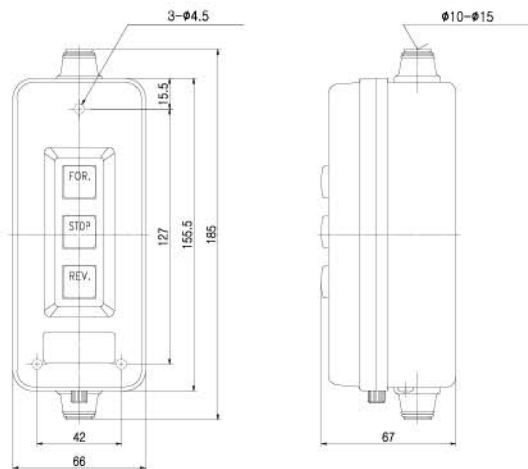
CONTROL BOX

PID TEMP. CONTROLLER

KH-306



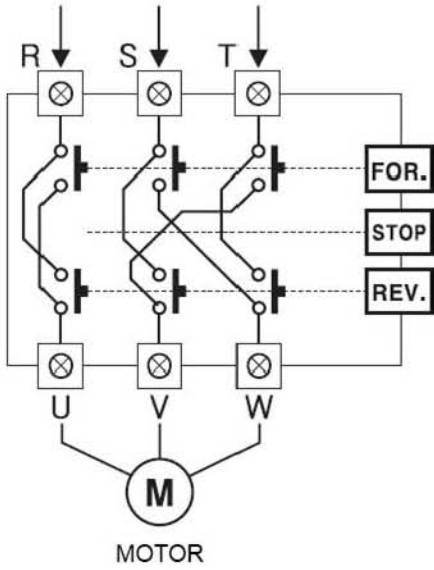
KH-306



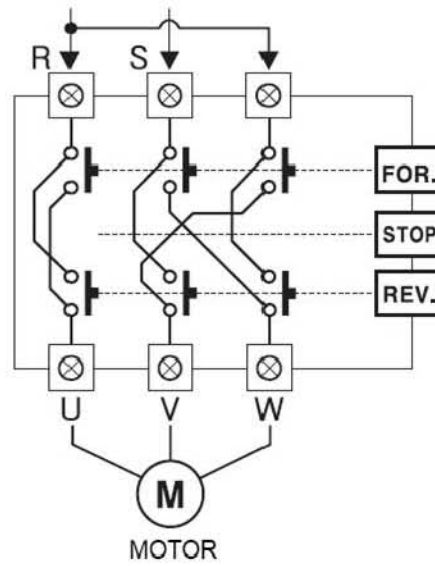
* Terminal Screw : M4 X 8

KH-306

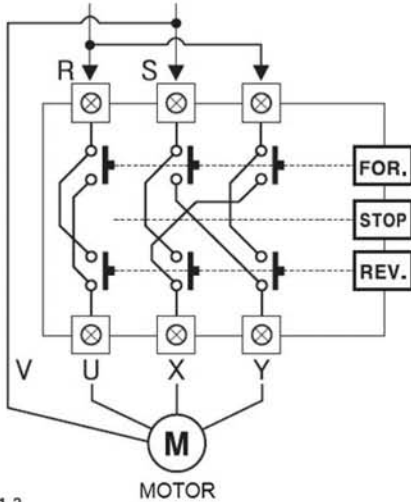
3 Phase, 350VAC, 380VAC



Single phase, 250VAC



Single phase, 110VAC



U : 1,3
V : 2,4
X : 5
Y : 6

CONTROL COMPONENTS

SQUARE LIGHT

TOWER LIGHT

MICRO SWITCH

FOOT SWITCH

LIMIT SWITCH

POWER SWITCH

HOIST SWITCH

CAM SWITCH

BUZZER

PHOTO SENSOR

PROXIMITY SENSOR

FLOATLESS LEVEL SWITCH

TIMER & COUNTER

RELAY

SOCKETS

TERMINAL BLOCK

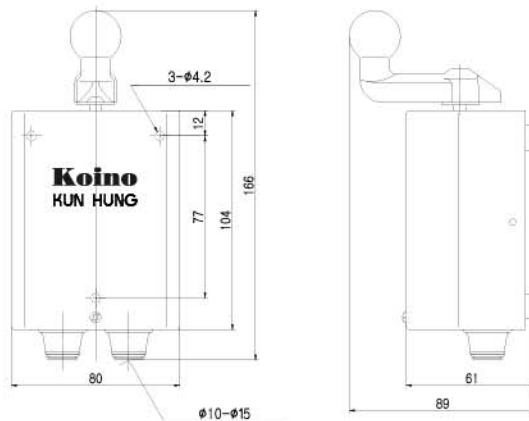
CONTROL BOX

PID TEMP. CONTROLLER

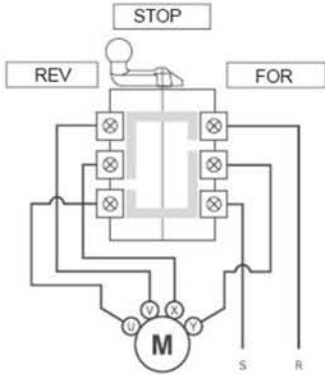
KH-205 / KH-205-2



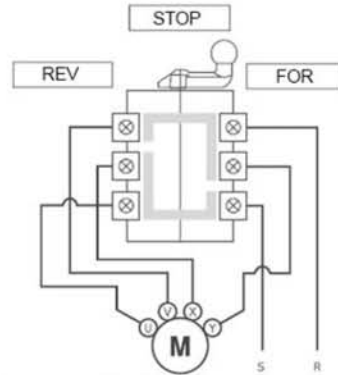
KH-205, KH-205-2



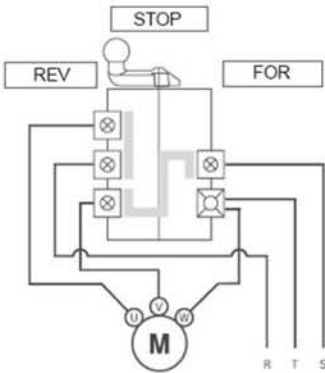
* Terminal Screw : M4×8



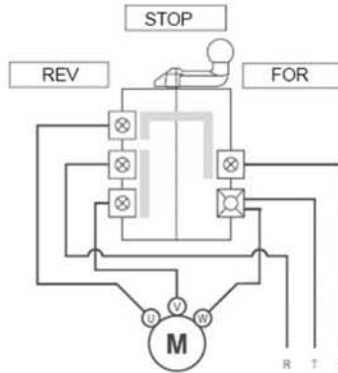
KH-205-2, SINGLE PHASE 110VAC MOTOR FORWARD ROTATION



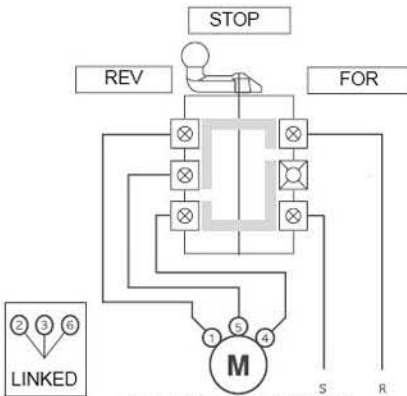
KH-205-2 SINGLE PHASE 110VAC MOTOR REVERSE ROTATION



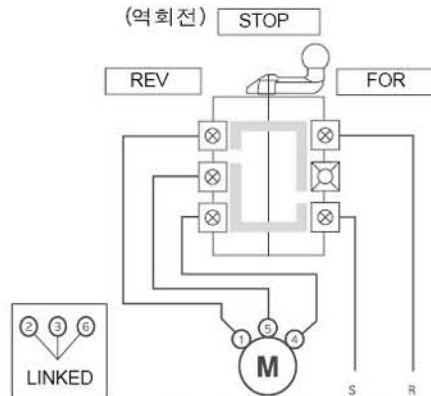
KH-205, 3 PHASE MOTOR FORWARD ROTATION



KH-205 3 PHASE MOTOR REVERSE ROTATION



KH-205-2 SINGLE PHASE FORWARD ROTATION



KH-205-2 SINGLE PHASE REVERSE ROTATION

CONTROL COMPONENTS

SQUARE LIGHT

TOWER LIGHT

MICRO SWITCH

FOOT SWITCH

LIMIT SWITCH

POWER SWITCH

HOIST SWITCH

CAM SWITCH

BUZZER

PHOTO SENSOR

PROXIMITY SENSOR

FLOATLESS LEVEL SWITCH

TIMER & COUNTER

RELAY

SOCKETS

TERMINAL BLOCK

CONTROL BOX

PID TEMP. CONTROLLER

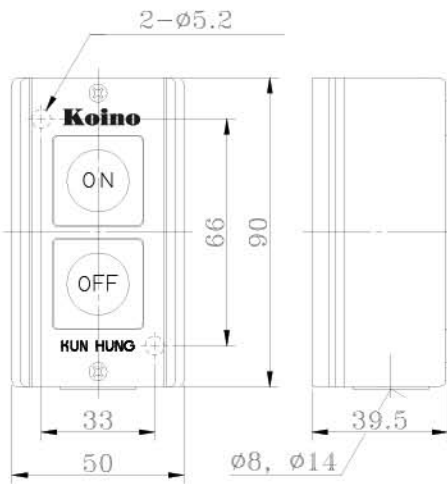
KH-701



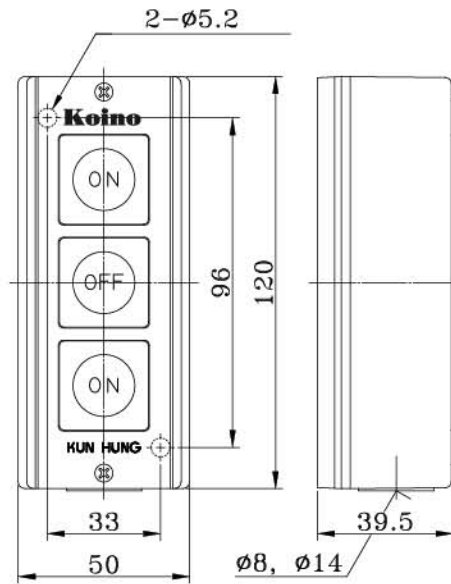
KH-703



KH-701



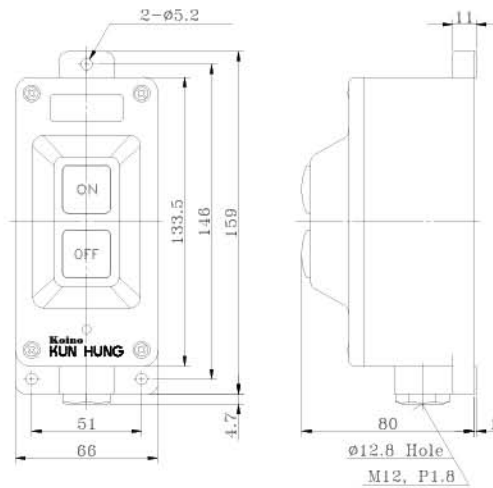
KH-703



KH-7011



KH-7011



* Terminal Screw : M3.5 X 8

CONTROL COMPONENTS

SQUARE LIGHT

TOWER LIGHT

MICRO SWITCH

FOOT SWITCH

LIMIT SWITCH

POWER SWITCH

HOIST SWITCH

CAM SWITCH

BUZZER

PHOTO SENSOR

PROXIMITY SENSOR

FLOATLESS LEVEL SWITCH

TIMER & COUNTER

RELAY

SOCKETS

TERMINAL BLOCK

CONTROL BOX

PID TEMP. CONTROLLER

▼
Creative Passion

Koino[®]

www.koino.com