

▼
Creative Passion

Koino[®]

www.koino.com

FOOT SWITCHES



KH-8012
KH-8012Y



KH-8013



KH-8015



KH-8016



KH-8017



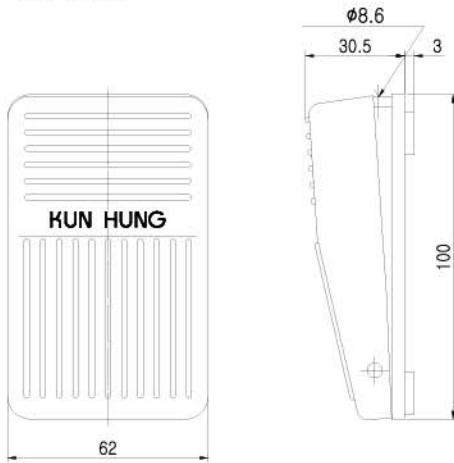
KH-8018

Specification

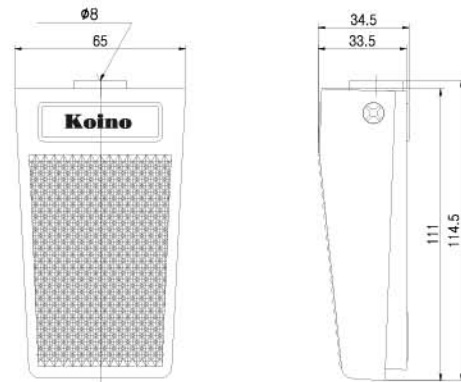
Model	Ratings	Built-in switch	Material	Wire length	Weight
KH-8012	125VAC 15A14VDC 15A	KH-9012PBFC	ABS	1.5m(2P)	131g
KH-8013	125VAC 15A14VDC 15A	KH-9012PBFC	Aluminum die-casting	1.5m(2P)	3400g
KH-8015	125VAC 15A14VDC 15A	KH-9015PBF		1.5m(2P)	428g
KH-8016	250VAC 15A(2P)	KH-201Contact block		None	416g
KH-8017	125VAC 15A14VDC 15A	KH-9015PBS		1.5m(2P)	525g
KH-8018	250VAC 15A(3P)	KH-201Contact block		None	455g
KH-8115	125VAC 15A14VDC 15A	KH-9015PBF	Zinc-alloy die-casting	2m(3P)	2,365g

Dimensions

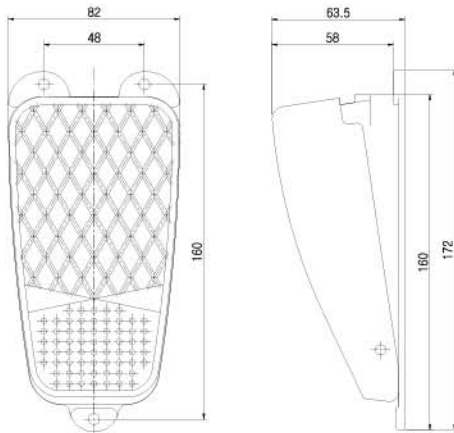
KH-8012



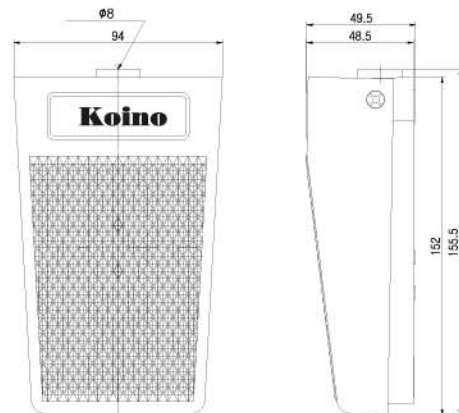
KH-8013



KH-8015, 8016



KH-8017, 8018



CONTROL COMPONENTS

SQUARE LIGHT

TOWER LIGHT

MICRO SWITCH

FOOT SWITCH

LIMIT SWITCH

POWER SWITCH

HOIST SWITCH

CAM SWITCH

BUZZER

PHOTO SENSOR

PROXIMITY SENSOR

FLOATLESS LEVEL SWITCH

TIMER & COUNTER

RELAY

SOCKETS

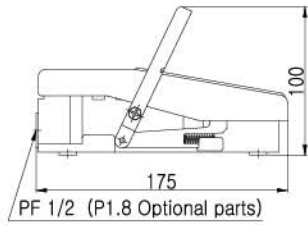
TERMINAL BLOCK

CONTROL BOX

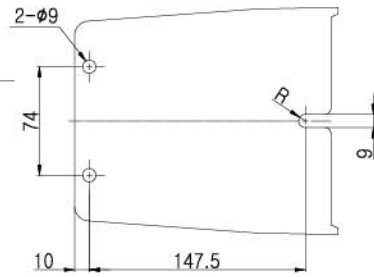
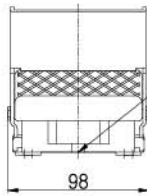
PID TEMP. CONTROLLER

Dimensions

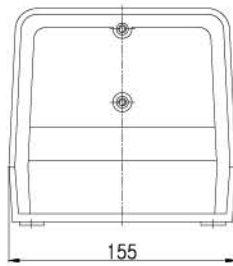
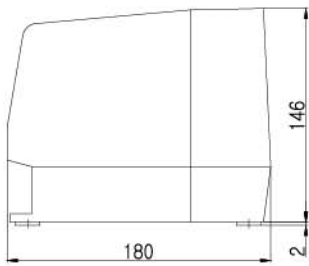
KH-8115



KH-8115 Housing Cover



Panel cut-out



▼
Creative Passion

Koino[®]

www.koino.com

▼
Creative Passion

Koino®

www.koino.com